

Argonaut-XR

MULTI-CELL DOPPLER CURRENT PROFILER



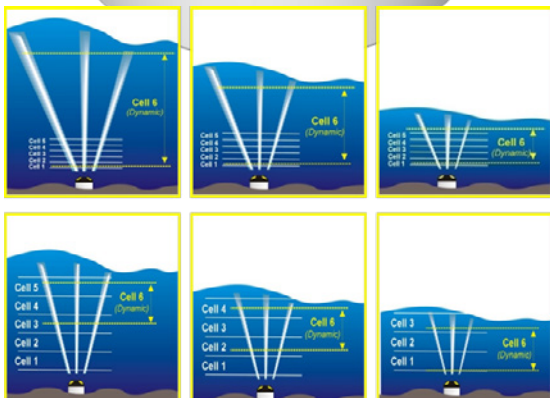
The **Argonaut-XR** offers exceptional value for current profiling applications. Its small size, rugged build quality, and flexible programming options make the Argonaut-XR ideal for both real-time operation as well as autonomous deployments. With a main measurement cell that is independent of the velocity profile, an Argonaut-XR can be a single-cell current meter, profiler, or both.

For example, the system can be programmed for a velocity profile in addition to a dynamic measurement cell which can be fixed in size and location anywhere in the water column, or configured to change its size or location as the water level changes (the Auto-Tide feature).

Adding options such as the SonWave package make the Argonaut-XR the centerpiece of a complete oceanographic system.

The basic autonomous configuration includes:

- External battery
- Internal recorder
- Compass / tilt sensor
- Pressure sensor
- Temperature sensor



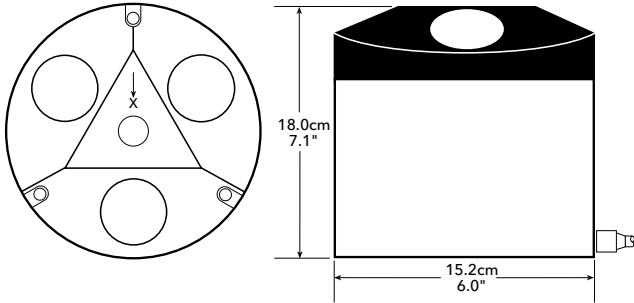
The additional dynamic cell adjusts with changing water level.



a xylem brand

Argonaut-XR EXCEPTIONAL VALUE FOR NEAR SHORE DEPLOYMENTS

Argonaut-XR Characteristics								
Frequency	Profiling Feature			Main Measurement Cell				
	Max Profiling Range	Min Cell Size	Min Blanking Distance	Cell Begin (CB)		Cell End (CE)		Min CE-CB
				Min	Max	Min	Max	
1.5MHz	20.0m (66.0ft)	0.40m (1.2ft)	0.50m (1.6ft)	0.50m (1.6ft)	19.5m (63.4ft)	1.50m (4.9ft)	20m (66.0ft)	1.00m (3.28ft)

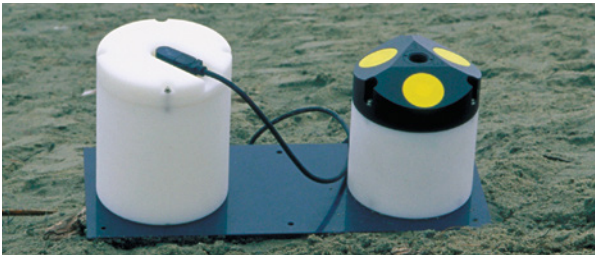


Optional Features

- Real Time Waves (Height, Period, Spectra)
- High Capacity External Battery (500 WH)
- RS422 Output



An XR and battery pack installed in an optional trawl-resistant mount.



The Argonaut-XR on mounting plate with external battery housing.



Pyramidal housing protects the Argonaut-XR from damage in busy ports, as shown here in Brazil.*

Velocity	Main measurement cell plus up to 10 cells in profiling feature
Range	±6 m/s
Resolution	0.1 cm/s
Accuracy	±1% of measured velocity, ±0.5 cm/s
Compass/Tilt Sensor	
Calibration Procedure	Built-in, compensate for ambient magnetic fields
Resolution	0.1°
Heading Accuracy	±2°
Pitch, Roll Accuracy	±1°
Temperature	
Resolution	0.01°C
Accuracy	±0.1°C
Pressure	Piezoresistive strain gauge, 0.1% accuracy
Recorder Size	4MB
Environmental	
Pressure Rating	200m (pressure sensor dependent)
Operating Temperature	-5° to 40°C
Storage Temperature	-10° to 50°C
Physical	
Housing	Delrin plastic
Weight in Air	2.5 kg 5.5 lb
Weight in Water	-0.3 kg -0.7 lb
Dimensions	15.2cm x 18.0cm 6.0 in x 7.1 in
Power	
Input Power	7-15 V DC
Typical Power Consumption	0.2 to 0.5 W Continuous; 0.01 W Stand-by
Communications	RS232, SDI-12



Quick access to video and training resources at:
[SonTek.com/Videos](https://www.sontek.com/Videos)

SonTek, a Xylem brand
 9940 Summers Ridge Rd.
 San Diego, CA 92121

+1.858.546.8327
 inquiry@sontek.com
 SonTek.com

Sound Principles.
 Good Advice.



[SonTek.com/Argonaut-XR](https://www.sontek.com/Argonaut-XR)

*Photos courtesy Xylem representative, HydroMares.
 Argonaut and ADV are trademarks of Xylem or one of its subsidiaries.
 © 2021 Xylem, Inc. S27-02 0621